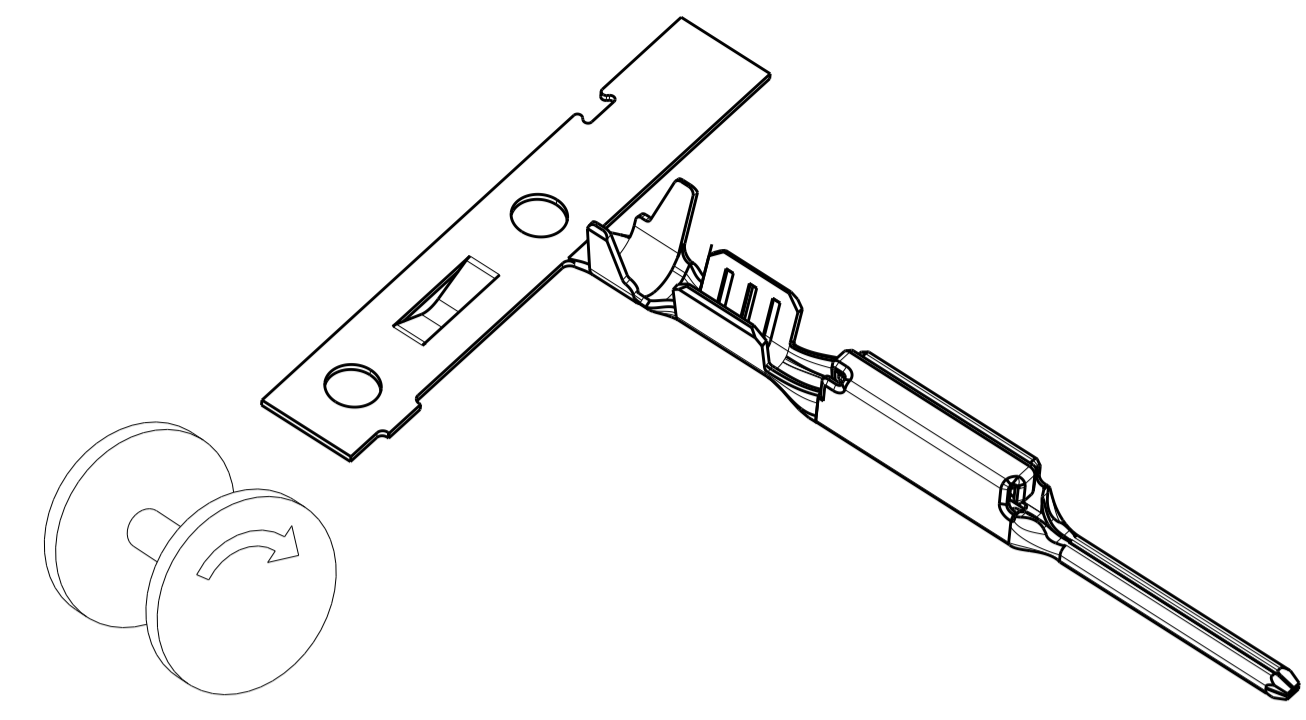
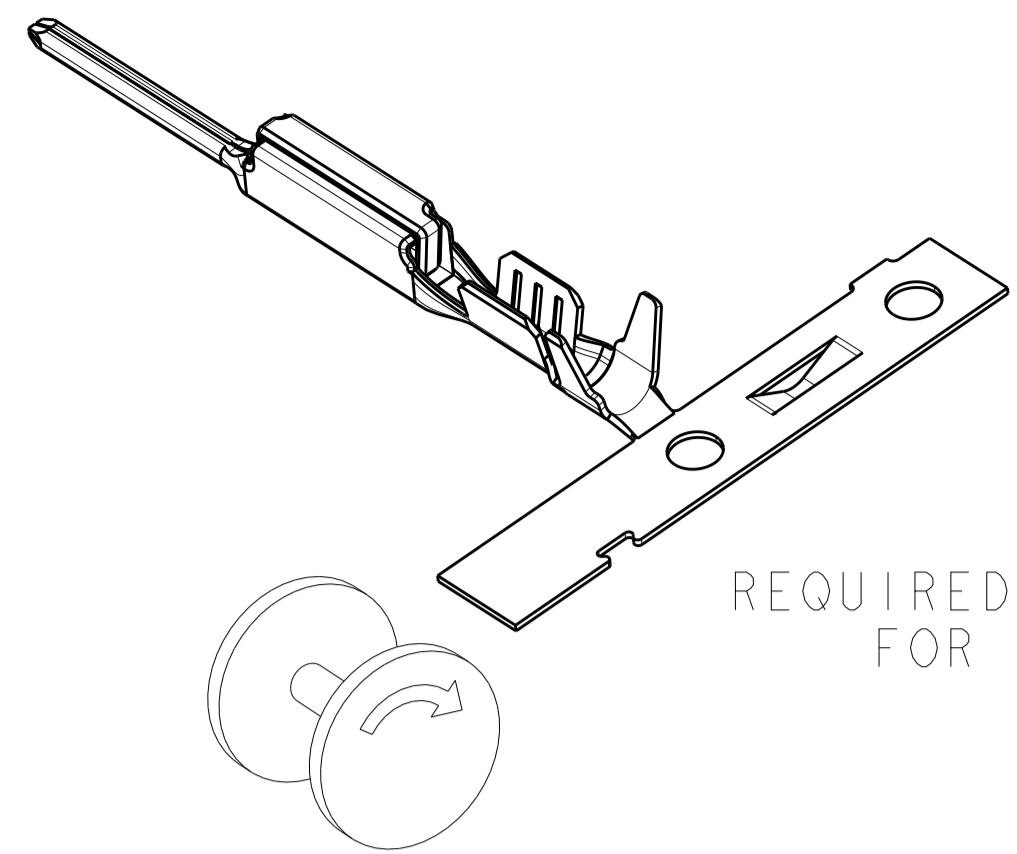


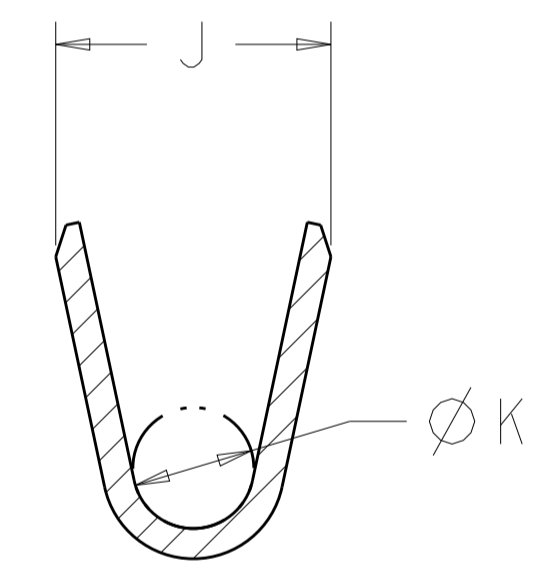
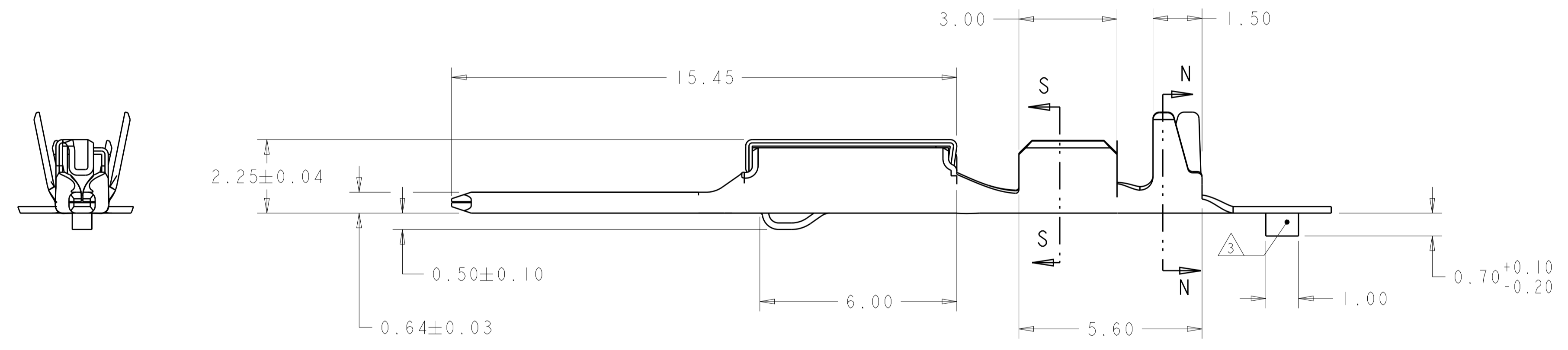
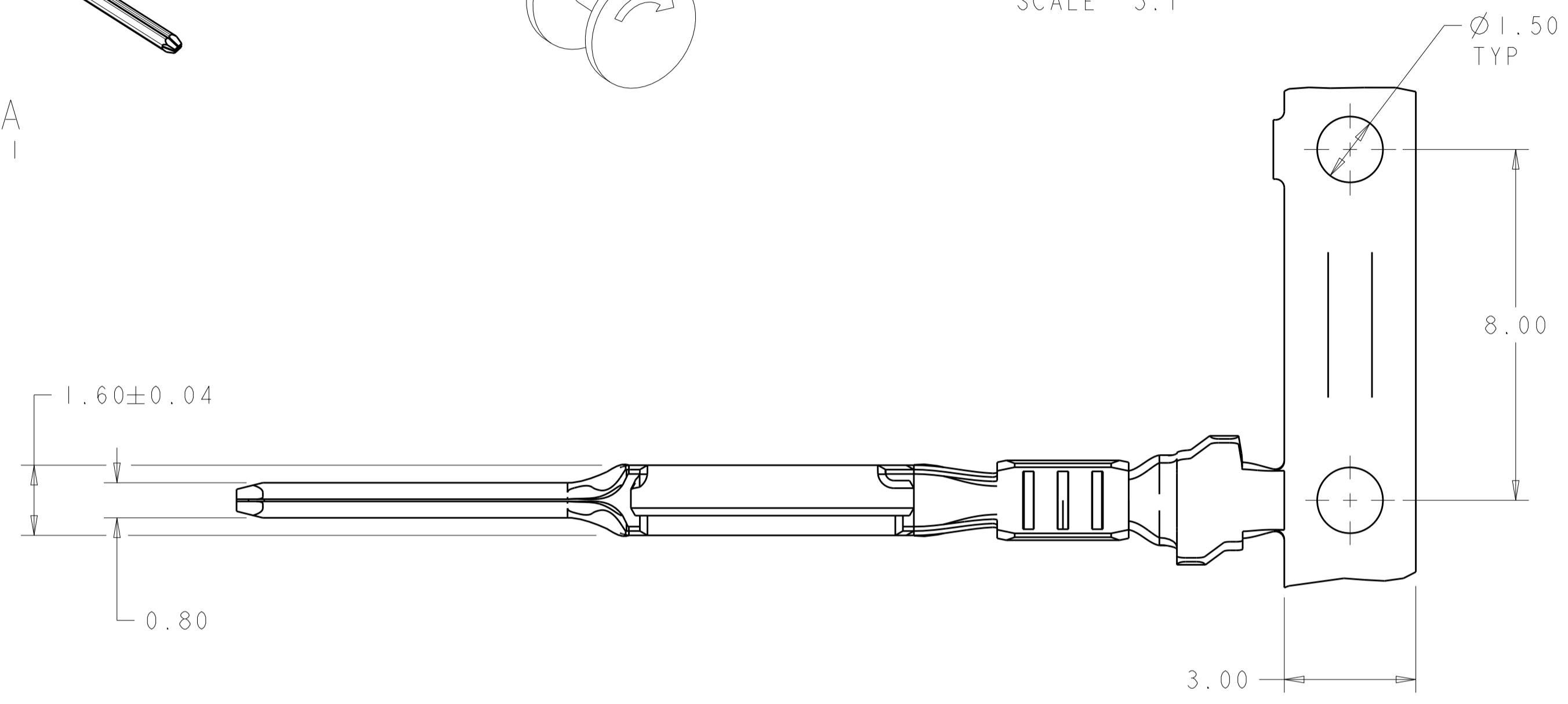
| LOC | | DIST | | REVISIONS | | | |
|-----|----|------|-----|---------------------------|-----------|-----|------|
| 1 | 00 | P | LTH | DESCRIPTION | DATE | DWN | APVD |
| | B3 | | | REVISED PER ECO-11-019271 | 21SEP2011 | DLD | CJS |
| | B4 | | | REVISED PER ECO-12-010824 | 12JUN2012 | DLD | CJS |
| | B5 | | | REVISED PER ECO-12-012285 | 08NOV2012 | DLD | CJS |



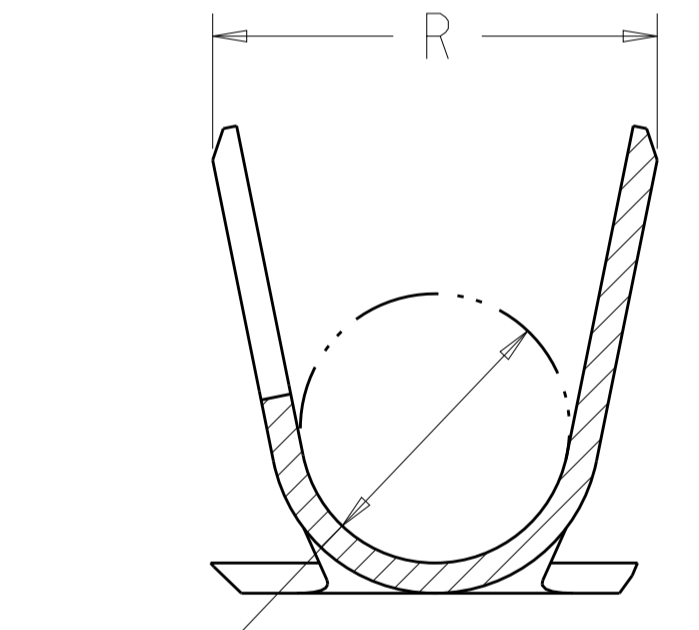
DETAIL A
SCALE 5:1



DETAIL B
REQUIRED REELING DIRECTION
FOR TE APPLICATORS
SCALE 5:1



SECTION S-S
SCALE 20:1



SECTION N-N
SCALE 20:1

- 1 MATERIAL: BRASS
- 2 FINISH: PRE-PLATED WITH 0.80µm MIN TIN
- 3 MATERIAL ID FEATURE IN "DOWN" POSITION.
- 5. THIS DRAWING IS RESTRICTED TO FORD.

| | | | | | | | |
|----------|------|------|------|------|--------|---|-------------|
| DETAIL B | 1.40 | 2.40 | 0.80 | 1.85 | 2 | 2X 0.13mm ² OR 0.35mm ² | 1924275-8 |
| DETAIL B | 0.85 | 1.82 | 0.65 | 1.50 | 2 | 0.13mm ² | 1924275-7 |
| DETAIL A | 1.40 | 2.40 | 0.80 | 1.85 | 2 | 2X 0.13mm ² OR 0.35mm ² | 1924275-6 |
| DETAIL A | 0.85 | 1.82 | 0.65 | 1.50 | 2 | 0.13mm ² | 1924275-5 |
| DETAIL B | 1.78 | 2.94 | 1.00 | 1.96 | 2 | 18 | 1924275-4 |
| DETAIL B | 1.78 | 2.94 | 0.80 | 1.82 | 2 | 20-22 | 1924275-3 |
| DETAIL A | 1.78 | 2.94 | 1.00 | 1.96 | 2 | 18 | 1924275-2 |
| DETAIL A | 1.78 | 2.94 | 0.80 | 1.82 | 2 | 20-22 | 1924275-1 |
| REELING | S | R | K | J | FINISH | WIRE SIZE | PART NUMBER |

THIS DRAWING IS A CONTROLLED DOCUMENT.

DIMENSIONS: mm

TOLERANCES UNLESS OTHERWISE SPECIFIED:

| | |
|--------|-------|
| 0 PLC | ±0.3 |
| 1 PLC | ±0.3 |
| 2 PLC | ±0.15 |
| 3 PLC | ± |
| 4 PLC | ± |
| ANGLES | ±1° |

MATERIAL:

FINISH:

APPROVED: J. HALL 02OCT2008

NAME: CONTACT, MALE, 0.64, GENERATION Y

SIZE: A100779 C=1924275

RESTRICTED TO: FORD

SCALE: 10:1 SHEET 1 OF 1 REV B5